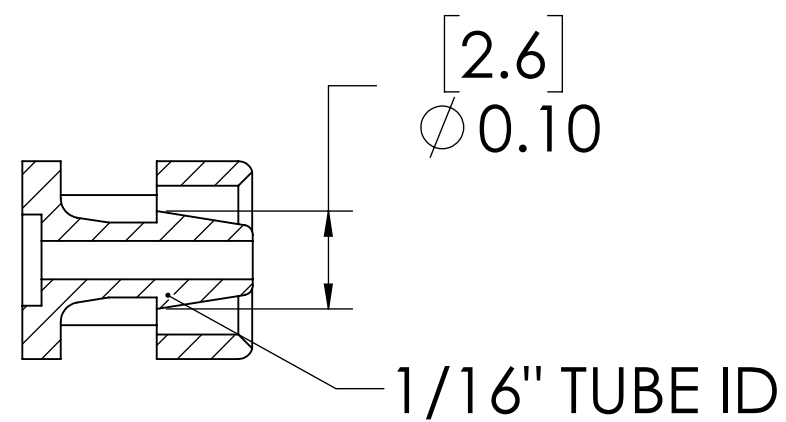
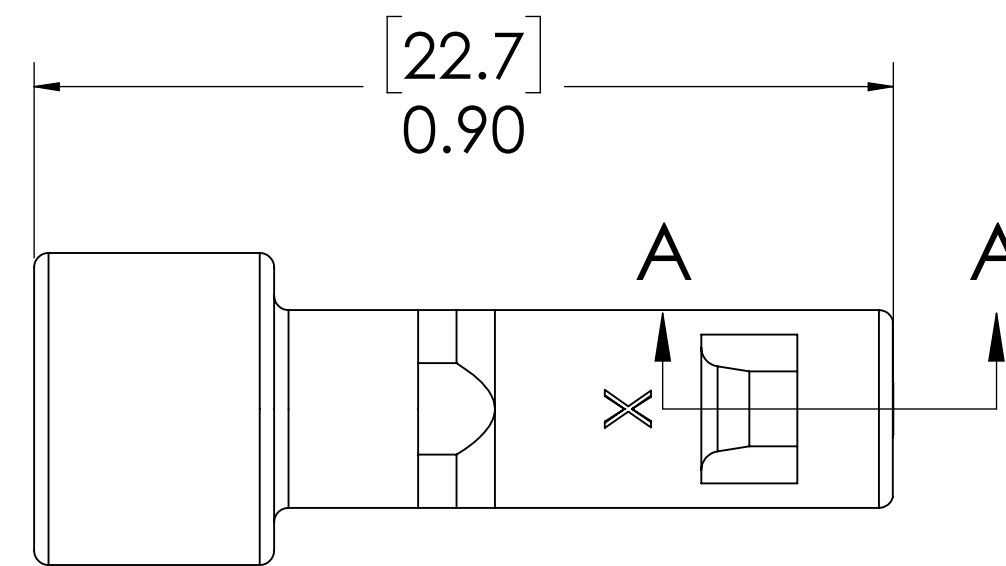
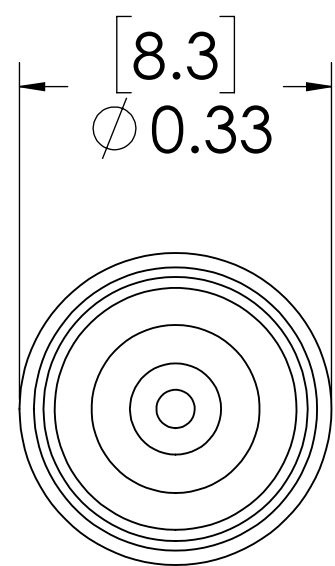
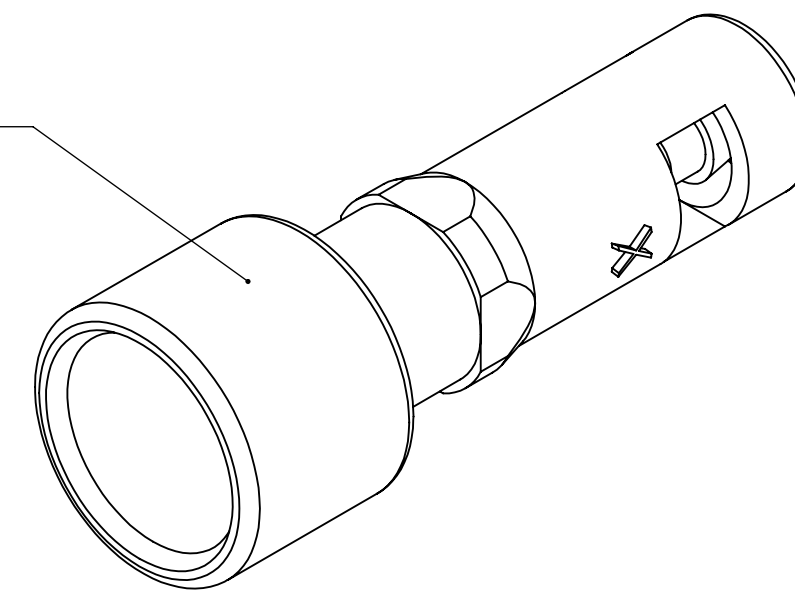


REVISIONS						
SHEET	ZONE	REV.	ECO	DESCRIPTION	DATE	APPROVED
1	ALL	A	50307	INITIAL RELEASE	1/10/2020	HRC



SECTION A-A  
SCALE 5 : 1

SOCKET,  
(ACETAL)



- NOTES:**
- MATERIAL: ACETAL
  - COLOR: BLACK

**FOR REFERENCE ONLY**

<small>UNLESS OTHERWISE SPECIFIED:          DIMENSIONS ARE IN INCHES          TOLERANCES:          FRACTIONAL ± 1/32          ANGULAR, MACH ± 0.5 BEND ± 2          ONE PLACE DECIMAL ± 0.1          TWO PLACE DECIMAL ± 0.01          THREE PLACE DECIMAL ± 0.005          TWO PLACE DUAL (mm) [± 0.12]</small>	DRAWN	RDA	10/14/2019	
	CHECKED	HRC	10/14/19	
	ENG APPR.	HRC	1/10/20	
	MFG APPR.	BDB	1/10/20	
PRODUCTION	LS	1/10/20		PART NO: 10AC-S2-01NSBLK DESCRIPTION: LinkTech 10AC Series Straight Female, Non-valved, 116 HB, No Sleeve, Black, Natural Aceta
<small>PROPRIETARY AND CONFIDENTIAL          THE INFORMATION CONTAINED IN THIS DRAWING IS THE SOLE PROPERTY OF LINKTECH LLC. ANY REPRODUCTION OR DISCLOSURE IN PART OR AS A WHOLE WITHOUT THE WRITTEN PERMISSION OF LINKTECH LLC IS STRICTLY PROHIBITED.</small>	COMMENTS:			SIZE DWG. NO. REV <b>C</b> 10AC100103 <b>A</b>
	SCALE: NTS WEIGHT:			SHEET 1 OF 1